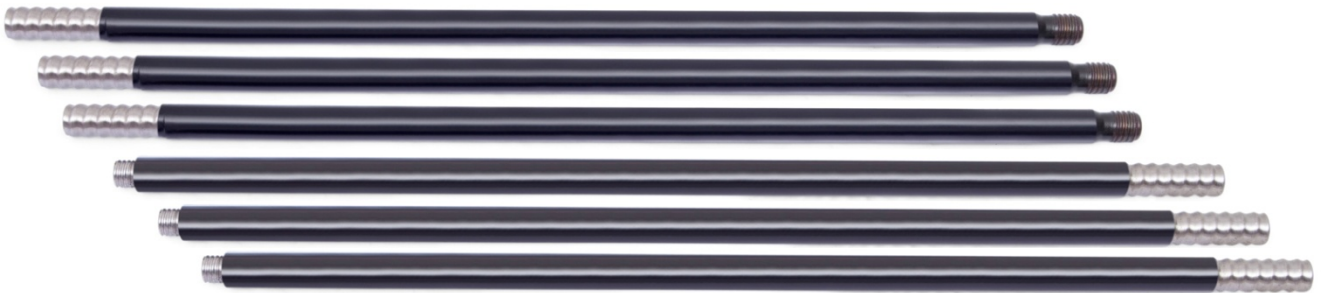






Taphole Drill Rod For Blast Furnaces




Single-Lug (Double-Lug) Threaded Drill Rod

Description	Length		Diameter		Part No.
	mm	in	mm	in	
	1830	6'	32	1 1/4"	MT32-18 H25L
	2435	8'	32	1 1/4"	MT32-24 H25L
	3050	10'	32	1 1/4"	MT32-30 H25L
	3660	12'	32	1 1/4"	MT32-36 H25L
	3830	12'6"	32	1 1/4"	MT32-38 H25L
	4300	14'1"	32	1 1/4"	MT32-43 H25L
	1830	6'	38	1 1/2"	MT38-18 D30L
	2435	8'	38	1 1/2"	MT38-24 D30L
	3050	10'	38	1 1/2"	MT38-30 D30L
	3660	12'	38	1 1/2"	MT38-36 D30L
	3830	12'6"	38	1 1/2"	MT38-38D30L
	4300	14'1"	38	1 1/2"	MT38-43 D30L



Single-Lug(Double-Lug) Welding Drill Rod

Description	Length		Diameter		Part No.
	mm	in	mm	in	
	3500	11'6"	32	1 1/4"	MW32-35L
	4270	14'	32	1 1/4"	MW32-42L
	4420	14'6"	32	1 1/4"	MW32-44L
	5000	16'4"	32	1 1/4"	MW32-50L
	5400	17'7"	32	1 1/4"	MW32-54L
	6000	19'8"	32	1 1/4"	MW32-60L
	3500	11'6"	38	1 1/2"	MW38-35L
	4270	14'	38	1 1/2"	MW38-42L
	4420	14'6"	38	1 1/2"	MW38-44L
	5000	16'4"	38	1 1/2"	MW38-50L
	5400	17'7"	38	1 1/2"	MW38-54L
	6000	19'8"	38	1 1/2"	MW38-60L


Extension Drill Rod

Description	Length		Diameter		Part No.
	mm	in	mm	in	
	1830	6'	32	1 1/4"	ME32-18R32/H25
	2435	8'	32	1 1/4"	ME32-24R32/H25
	3050	10'	32	1 1/4"	ME32-30R32/H25
	3660	12'	32	1 1/4"	ME32-36R32/H25
	3830	12'6"	32	1 1/4"	ME32-38R32/H25
	4300	14'1"	32	1 1/4"	ME32-43R32/H25
	1830	6'	38	1 1/2"	ME38-18R38/R38 (ME38-18R38 / D30)
	2435	8'	38	1 1/2"	ME38-24R38/R38 (ME38-24R38 / D30)
	3050	10'	38	1 1/2"	ME38-30R38/R38 (ME38-30R38 / D30)
	3660	12'	38	1 1/2"	ME38-36R38/R38 (ME38-36R38 / D30)
	3830	12'6"	38	1 1/2"	ME38-38R38/R38 (ME38-38R38 / D30)
	4300	14'1"	38	1 1/2"	ME38-43R38/R38 (ME38-43R38 / D30)

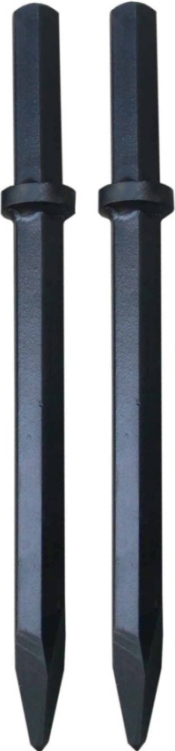
Semi-finished Materials


Description	Length		Part No.
	mm	in	
	32	1 1/4"	Hollow Drill Steel
	38	1 1/2"	
	32	1 1/4"	Seamless Steel Pipe
	38	1 1/2"	

Coupling Sleeve

Description	Length		Diameter		Thread	Part No.
	mm	in	mm	in		
	150	5 29/32"	44	1 47/64"	R32	MC4415-R32
	170	6 3/4"	55	2 5/32"	R35	MC5517-R35
	170	6 3/4"	55	2 5/32"	R38	MC5517-R38

Pneumatic Break Steel

Point	Shank Size		Length		Part No.	Weight
	mm	in	mm	in		Kg
	22x82.5 22x108	7/8" x 31/4" 7/8" x 41/4"	355	14"	MP2201-355	1.55
			457	18"	MP2201-457	1.9
			609	24"	MP2201-609	2.41
			914	36"	MP2201-914	3.43
	25x108	1" x 41/4"	355	14"	MP2501-355	1.99
			457	18"	MP2501-457	2.42
			609	24"	MP2501-609	3.08
			914	36"	MP2501-914	4.47
			1219	48"	MP2501-1219	5.7
			1524	60"	MP2501-1524	7.01
			1828	72"	MP2501-1828	8.32
	28x152	1 1/8" x 6"	355	14"	MP2801-355	2.72
			457	18"	MP2801-457	3.24
			609	24"	MP2801-609	4.05
			914	36"	MP2801-914	5.68
			1219	48"	MP2801-1219	7.3
			1524	60"	MP2801-1524	8.93
			1828	72"	MP2801-1828	10.55
	32x152 (32x160)	1 1/4" x 6" 1 1/4" x 6 1/3"	355	14"	MP3201-355	3.93
			457	18"	MP3201-457	4.08
			609	24"	MP3201-609	6.43
			914	36"	MP3201-914	7.08
			1219	48"	MP3201-1219	9.1
			1524	60"	MP3201-1524	11.11
1828			72"	MP3201-1828	13.12	

Chisel	Shank Size		Length		Part No.	Weight	
	mm	in	mm	in		Kg	
	22x82 22x108	7/8" x 31/4" 7/8" x 41/4"	355	14"	MP2202-355	1.55	
			457	18"	MP2202-457	1.9	
			609	24"	MP2202-609	2.41	
			914	36"	MP2202-914	3.43	
	25x108	1" x 41/4"	355	14"	MP2502-355	1.99	
			457	18"	MP2502-457	2.42	
			609	24"	MP2502-609	3.08	
			914	36"	MP2502-914	4.4	
			1219	48"	MP2502-1219	5.7	
			1524	60"	MP2502-1524	7.01	
	28x152 28x160	1 1/8" x 6" 1 1/8" x 6 1/3"	355	14"	MP2802-355	2.72	
			457	18"	MP2802-457	3.24	
			609	24"	MP2802-609	4.06	
			914	36"	MP2802-914	5.68	
			1219	48"	MP2802-1219	7.3	
			1524	60"	MP2802-1524	8.93	
	32x152 32x160	1 1/4" x 6" 1 1/4" x 6 1/3"	355	14"	MP3202-355	3.39	
			457	18"	MP3202-457	4.08	
			609	24"	MP3202-609	6.43	
			914	36"	MP3202-914	7.08	
			1219	48"	MP3202-1219	9.1	
			1524	60"	MP3202-1524	11.11	
				1828	72"	MP3202-1828	13.12



Welding Button Bit Part No. Rules

M WB 38 20 -7 A

M	MAXDRILL	
WB	Welding Button Bit	
38	Diameter	38mm-70mm
20	d	16.5mm-21mm
7	Carbide Number	6-9
A	A	L=18
	B	L=10

Taphole Drill Rod Part No. Rules

M T 32 -18 R32/H25L

M	MAXDRILL	
T	T	Threaded Drill Rod
	W	Welding Drill Rod
	E	Extension Drill Rod
	C	Coupling Sleeve
32	Diameter	
18	Length	1830mm-4300mm
R32	Thread	
H25		
L	Lug	

Pneumatic Break Steel Part No. Rules

M P 22 01 -355

M	MAXDRILL	
P	Pneumatic Break Steel	
22	Shank Size	Hex.22mm, Hex.25mm, Hex.28mm, Hex.32mm
01	01	Head type point
	02	Head type chisel
355	Length	355mm-1828mm